

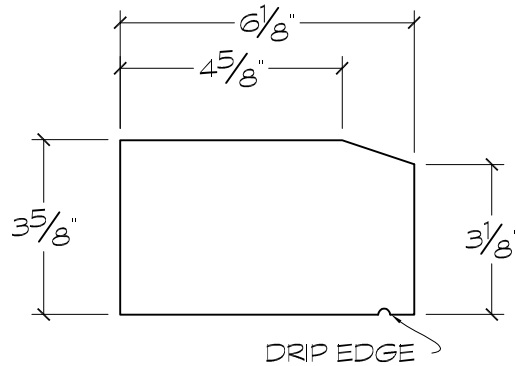
Harvey Cement Products, Inc.

Since 1947

16030 Park Avenue, Harvey, IL 60426

Ph: 708.333.1900 F: 708.333.1910

www.harveycement.com



CROSS SECTION

1 **PROFILE CP**

ARCH REF:
SCALE: 3"=1'-0"

Profile ID

CP

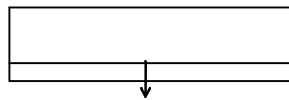
SUGGESTED USE

| | |
|-----------------|---|
| Sill | X |
| Transition Band | |
| Coping | |
| Cap | |
| Field / Band | |
| Cornice | |
| | |
| | |

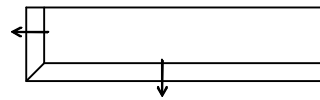
TYPE / SIZE AVAILABILITY

| TYPE | LENGTH(S) |
|-----------------|-----------|
| Straight | 23 5/8" |
| Left End Return | 25 1/8" |
| | |
| | |

TOP VIEWS



STRAIGHT



LEFT END RETURN

DRIP EDGE - OPTIONAL